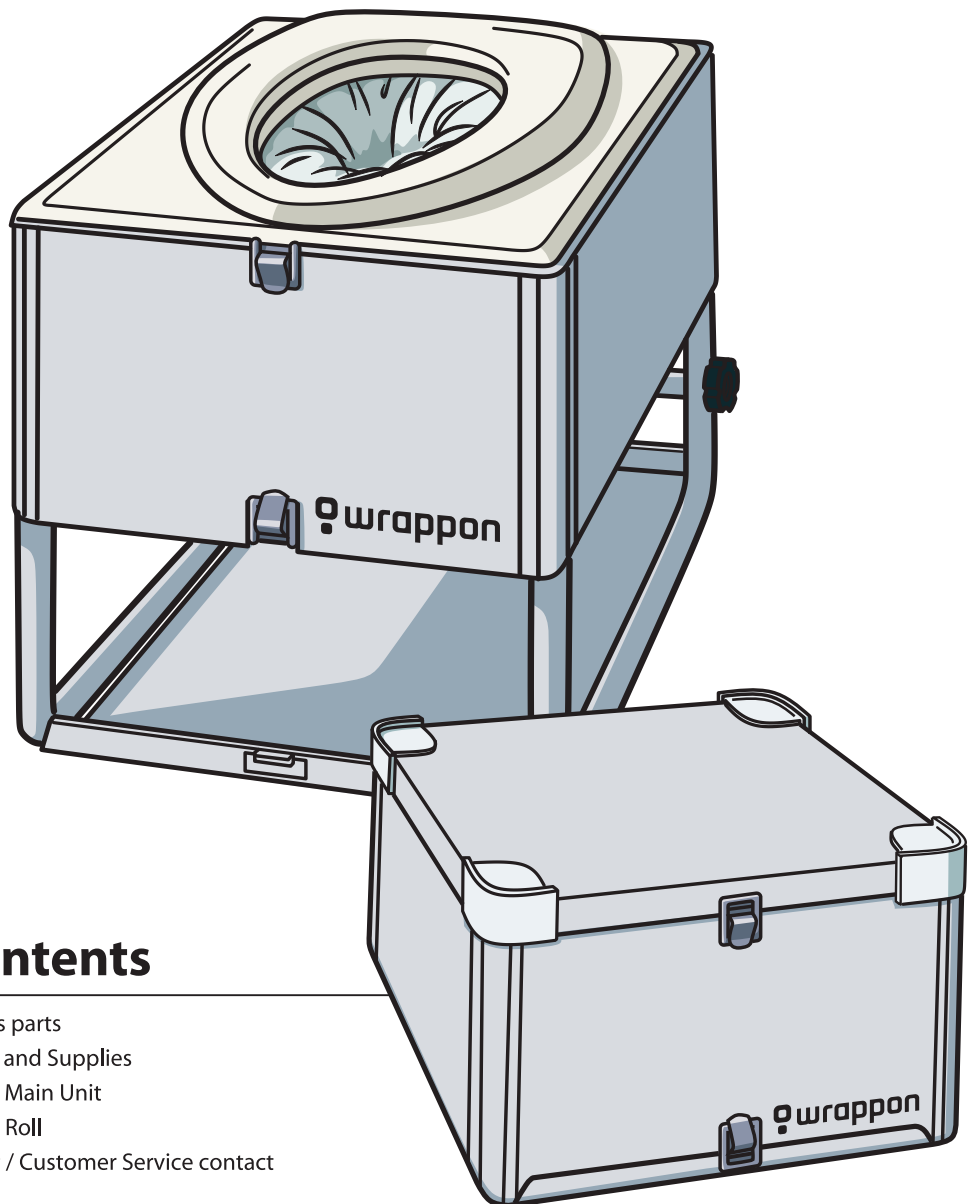


Portable Box-Type Automatic Wrapping Toilet

# wrappon trekker2

TR-SE-T201J

## Quick Reference Guide



### Table of Contents

- P.1 • • • Name of various parts
- P.3 • • • Accessories List and Supplies
- P.4 • • • Assembling the Main Unit
- P.5 • • • Installing a Film Roll
- P.7 • • • Using the Toilet / Customer Service contact

# Name of various parts

## 【Front】

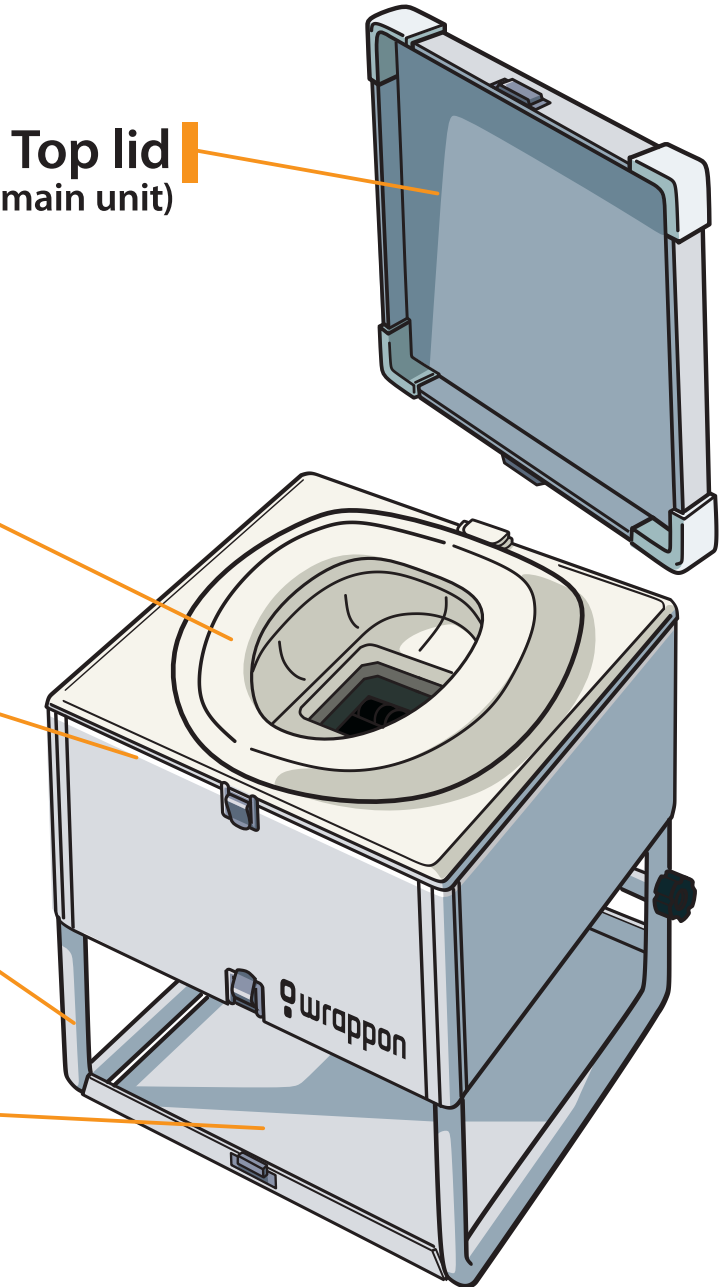
**Top lid**  
(to be removed from the main unit)

**Toilet seat**

**Inside cover**

**Legs**

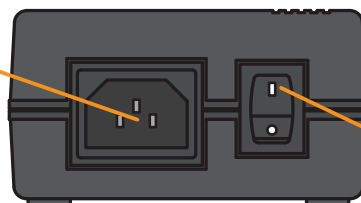
**Bottom lid**



## 【AC adapter】

**Power supply cord  
plug-in port**

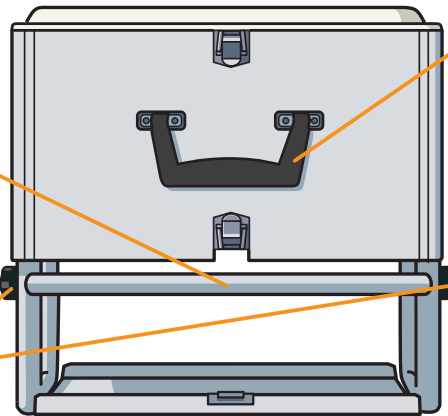
**Main power  
supply**



## 【Rear】

Reinforcement bar

Screws

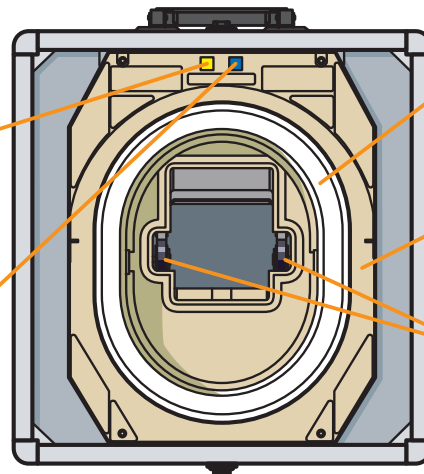


Handle

## 【Inside】 Top view with the toilet seat removed

Yellow switch  
(initialization)

Blue switch  
(for film feeding)



Film guide

Top plate

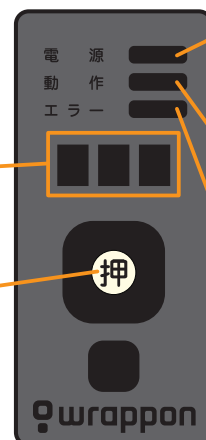
Roller

## 【Remote Control Unit】

(Hook-and-loop tape provided on back)

Display window

Button



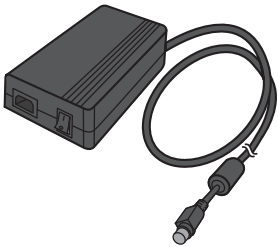
Power supply indicator  
(green)

Operation indicator  
(green/orange)

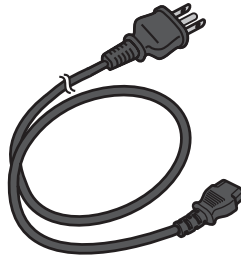
Error indicator  
(red)

# Accessories List

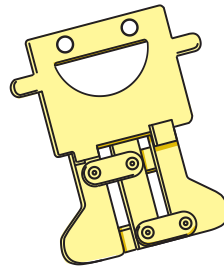
Before using the product, check to make sure all of the accessories are intact.



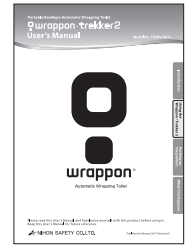
AC adapter  
(Model No.: WR-AC-FJ11S)



Power supply cord  
(Model No.: WR-PC-FJ11J)



Film installation jig  
(Model No.: C0-J1-0001S)



User's Manual  
(Model No.: TR-MA-T201J)

Quick Reference Guide  
(Model No.: TR-HA-T201J)

## Hook-and-loop tape

To be used for securing the Remote Control Unit.  
Apply it to the desired location.

## installed inside the product

Reinforcement bar  
(Model No.: TR-ST-0001S)

## Two screws

Installed on the two ends of the reinforcement bar  
(Model No.: TR-BL-N0B2S)

## Inside cover (1)\*

(Model No.: TR-MU-US01S)

# Supplies

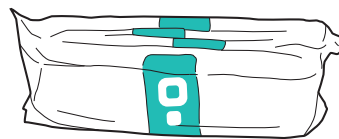
These supplies are required for using the product.  
To order these, contact the seller where you purchased the product.



Paper coagulant  
(Katamerusa, paper)  
(For approximately 50 uses) 1 bag  
(Model No.: C0-C0-STP1J)



Polymer coagulant  
(Katameru polymer)  
(For approximately 50 uses) 1 box  
(Model No.: C0-C0-P001J)



Film roll  
(For approximately 50 uses) 1 roll  
(Model No.: C0-F1-50C1B)



Wet tissue  
(100 sheets) 1 bag  
(Model No.: C0-WT-0002J)

# Assembling the Main Unit

**1** Place the product on the floor, with the bottom lid up.

Bottom face  
Top face

**2** Remove the bottom lid.

Release the locks in both locations.

**3** Pull out both legs.

**4** Install the AC adapter.

① The flat side faces the backside.

② Secure the cord.

① Hold the thicker part of the plug and insert it until you hear a click, with the flat side facing the backside of the unit.

② Secure the cord. When unplugging hold and pull the outer portion of the connection.

**5** Remove the two screws and the reinforcement bar.

Pull and place the cords of the AC adapter and the Remote Control Unit to the backside as shown.

**6** Using the two screws, install the reinforcement bar on the two legs as shown.

**7** Pull up the chute. It will stop when it opens to 45 degrees.

**8** Turn the main unit bottom side up and insert the power supply cord into the AC adapter as shown.

**9** Place the bottom lid between the legs.

**10** Release the lock and remove the top lid.

**11** Turn the main power supply of the AC adapter OFF, and then insert the plug into an electrical outlet.

Electrical outlet

The assembly is now complete.

At this point, leave the main power supply OFF.

# Installing a Film Roll

**1** Make sure that the main power supply of the AC adapter is OFF.

**2** Remove the toilet seat and the inside cover.

**3** Release both latches and pull the film guide up and out.

**4** Place a film roll along the film set guide.

**5** Reinstall the film guide that was removed in **2**.

**6** Remove the four ties from the film roll.

**7** Lift up all four sides of the film.

**8** Overlap the front end with the back end at the center.

**9** Overlap the right end with the left end in the same manner. Hold the overlapping four edges.

**10** Push the center of the film roll into the toilet. (around 8in).

**11** Push down the film installation jig while aligning it with the protrusions on the top plate.

**12** Push in the film installation jig until no resistance is felt.

**13** Pull up the film installation jig.

**OFF**

**Latches**

**click**

**click**

**back**

**left**

**right**

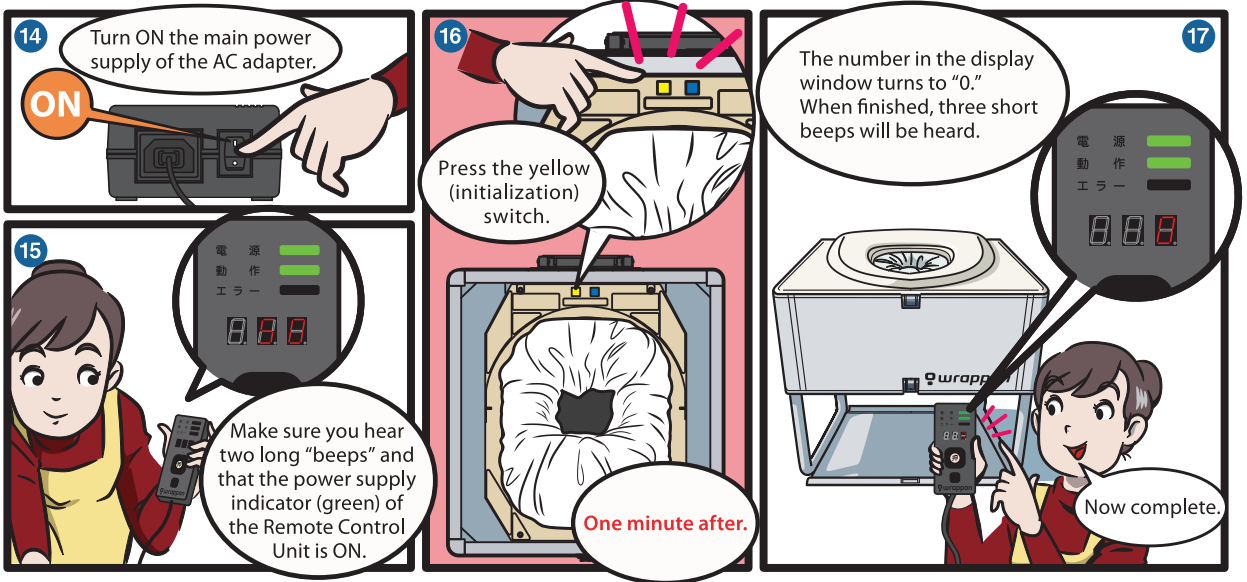
**front**

**Protrusion on the top plate**

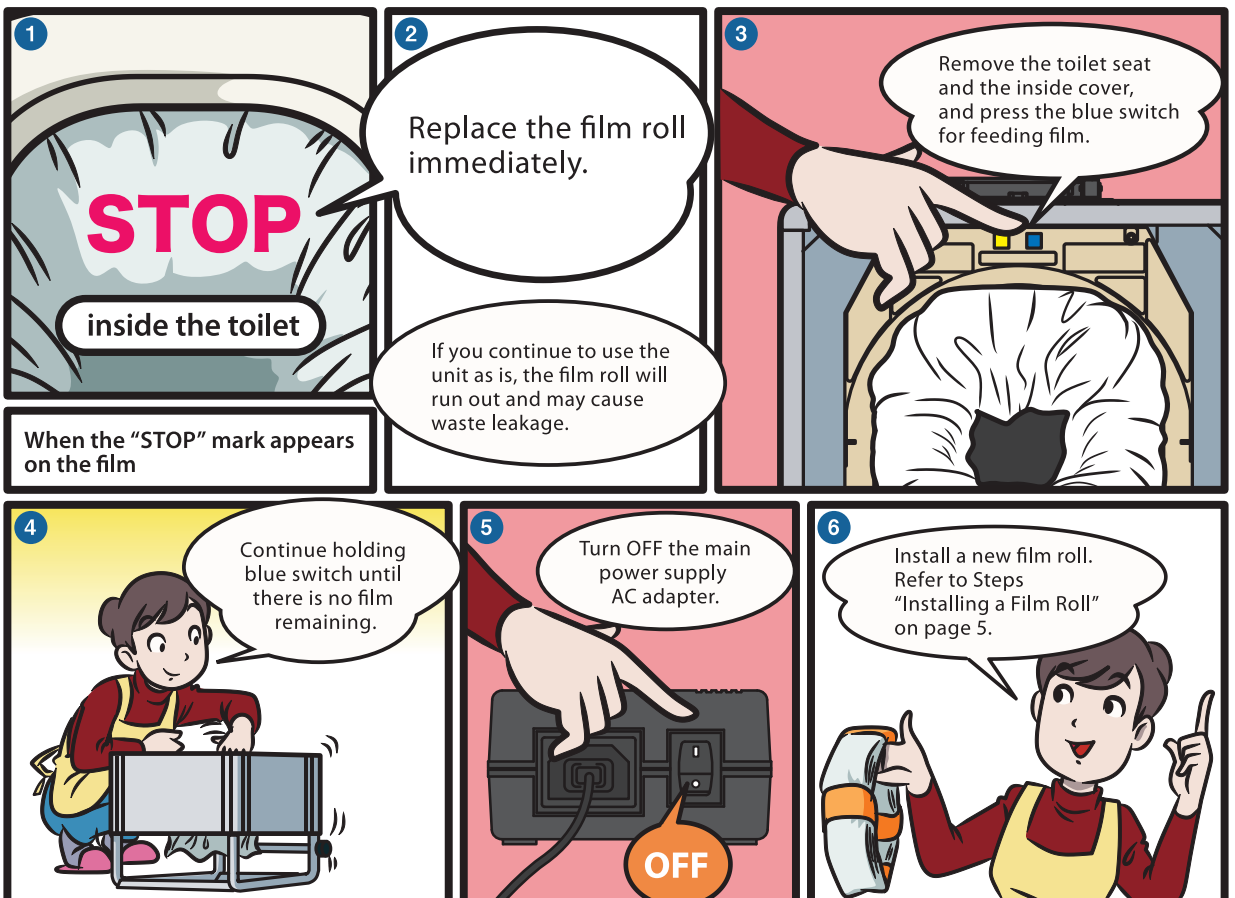
**Push!!**

wrappon





**When the "STOP" mark appears on the film inside the toilet, it is time to replace the film roll.**



# Using the Toilet

Do not put your hand in the toilet.  
Sit on the toilet seat.

## Checking before use.

Make sure that the operation indicator on the Remote Control Unit is lit green.  
Check for the presence of a film roll.

**1** Pour in a scoop of the paper coagulant or put in one bag of the polymer coagulant.

**2** Sit on the toilet seat in the correct position.

**3** Do not urinate standing up.

**4** Use the wet tissue instead of toilet paper.

**5** Do not put anything in the toilet other than human waste matter, wet tissue, and sanitary products. Cigarettes and sharp objects are prohibited.

**6** When finished, step away from the toilet and press and hold the button on the Remote Control Unit for one second.

**7** After one minute, you will hear three short beeps, and the wrapped film is automatically cut away.

When the operation indicator on the Remote Control Unit is green, pull out the bottom lid and discard the wrapped film into a waste container.

**8** Wrapped waste disposal must follow the instructions of your local government.